

# Front-Opening Counter P 7195 - DELTA

## Front-Opening Counter P 7195 with Intercom System DELTA

This unit was designed for the flush built-in into the front or partition walls and is mainly for indoor and roofed outdoor use in porters' lodges and at night cash desks.

An intercom system for easy communication between in- and outside is integrated in the unit.

### Security

P 7195 is available in bulletproof classification FB4-NS. On request we send you the respective test certificate.

### Operation

The unit is operated manually. By simply using the hand lever the tray can be moved to the outside and back again. It locks in both end positions.

### Construction and finish

Solid steel construction with abrasion-resistant structure lacquering (RAL 9005, Jet black). The front cover is made from brushed stainless as standard version.

A complete intercom system SITEC-DELTA, ready-to-plug-in, is integrated in the front-opening counter. As standard the main control at the inside is delivered as on-desk version. The central control unit has to be fixed below the desk plate.

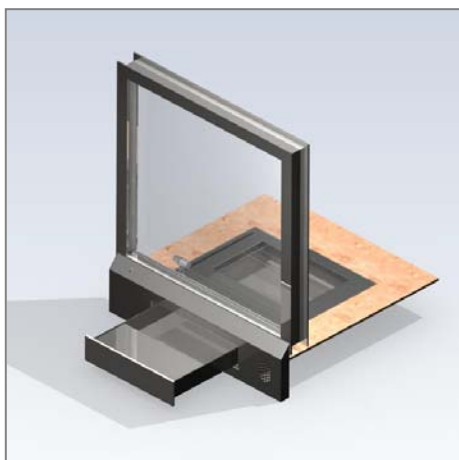
An optional mounting of the capsule microphone in the window frame on eye level has to be checked by third party.

### Installation

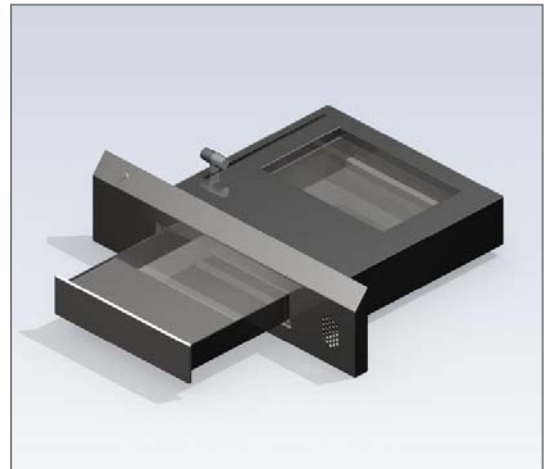
From the outside, the unit is inserted into the prepared wall-opening. A solid foundation needs to be realized by third party.

Fixing is done by fastening brackets that are included in the delivery and which are bolt to the unit at the side and to the existing desk plate from below.

It should be also possible to dismantle the unit in case of later repairs and maintenance work will become necessary.



**Intercommunication system SITEC-DELTA is integrated**



### Scope of delivery - (Item No: 114467)

Front-opening counter P 7195

Lateral fastening brackets with long slots

incl. all screws needed

Parts of DELTA Intercom system enclosed

Usage instructions of DELTA Intercom system

### Possible variants

P 7195, without integrated intercom system

P 7195/S, with adapted dimensions of blind

as well as special constructions, e.g. for thicker walls, with different dimensions of the blind, special colors (RAL), etc.

Please contact us.

**Security** (Bulletproof according to DIN EN 1522): FB4-NS

(also acc. to BGV C9 - UVV Kassen)

### Wall opening:

W x H = 460 x 106 mm

Strength of wall above max. 90 mm

### Front cover :

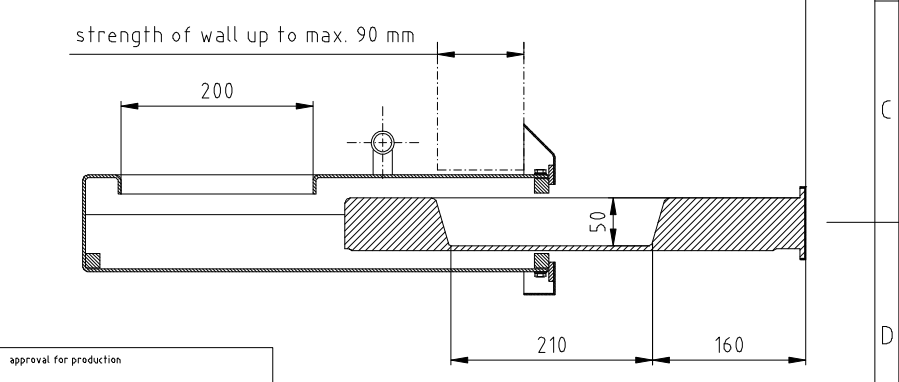
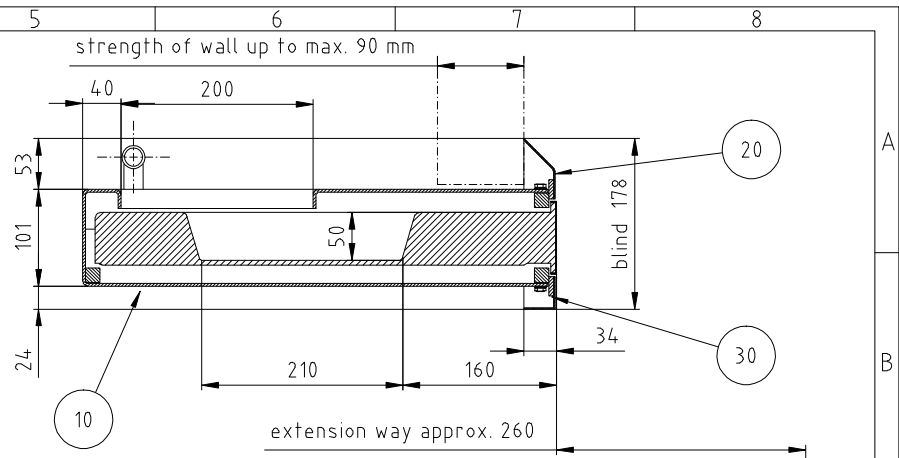
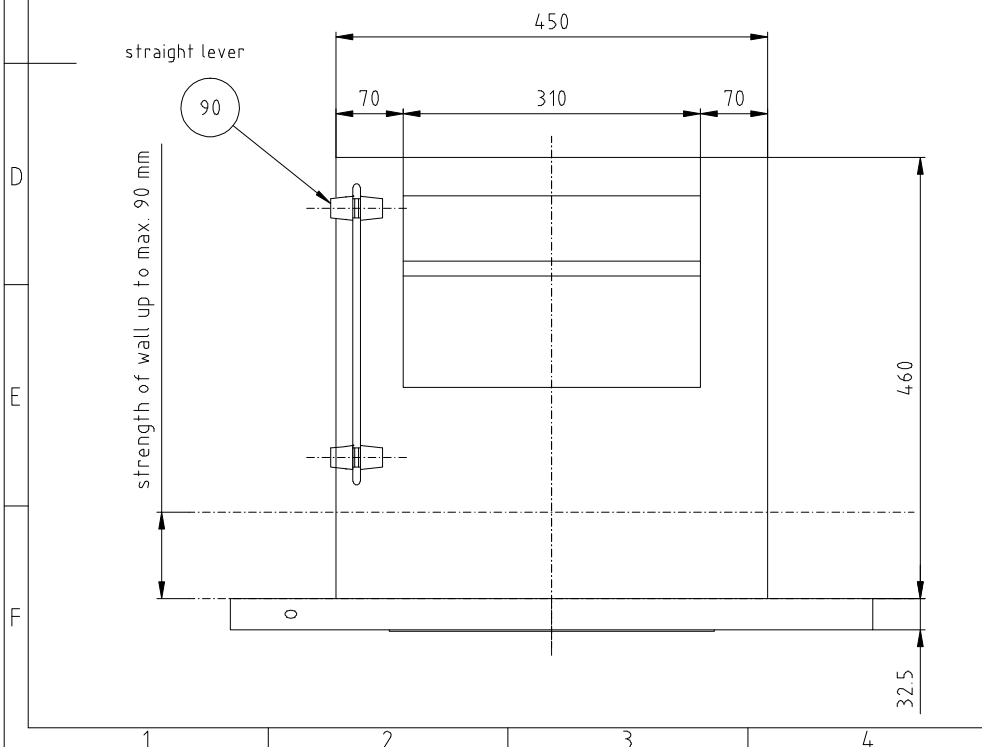
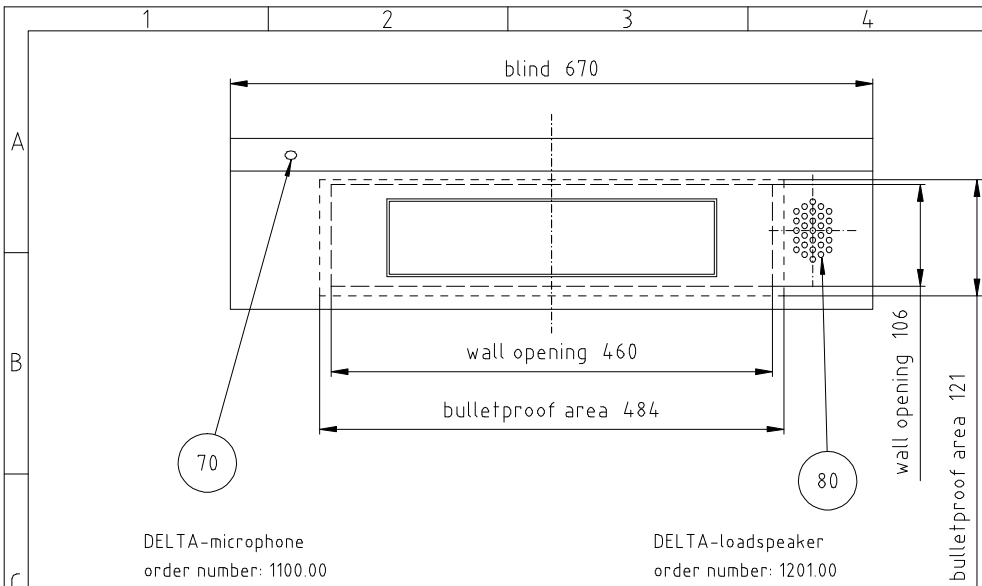
L = 670 mm, H = 178 mm

### Inner clearance:

W x H x D = 310 x 50 x 200 mm

### Required information for order:

Name, Item No., execution of the intercom system's main control



approval for production

date

stamp and signature

P 7195 Front-opening counter  
(standard)

production: ..... pcs.

Allgemeintoleranzen DIN ISO 2768-1m Tolerierung DIN ISO 8015		Auftrag:					
	über	über	über	über	über		
bis	6	30	100	300	1000		
6	bis 30	bis 100	bis 300	bis 1000	bis 2000		
	±0,1	±0,2	±0,3	±0,5	±1,2		
für Geradheit und Ebenheit ISO 2768 Toleranzklasse K							
	±0,05	±0,1	±0,2	±0,4	±0,6	±0,8	
für Rechtwinkligkeit ISO 2768 Toleranzklasse K							
	0,1	0,3	0,4	0,6	0,8	1	
Das Urheberrecht an dieser Zeichnung und sämtlicher Beilagen verbleibt bei uns. Sie sind dem Empfänger nur zum persönlichen Gebrauch anvertraut. Ohne unsere schriftliche Genehmigung dürfen sie nicht vervielfältigt, nicht dritten Personen mitgeteilt oder zugänglich gemacht werden. Widersätzliche Benutzung durch den Empfänger oder Dritte hat zivil- und strafrechtliche Folgen.							
SITEC GMBH SICHERHEITSSCHÜTTUNGEN SÜDWING-GEBÜDGE-HERZOG-STR. 19 D-96369 Weissembaum TELEFON : 09261/60750 TELEFAX : 09261/60750		Projekt-Nr.: P 7195		Kunde:			
Werkstoff:		Vers. Änderung		Datum		Name	
Erstellt Glaser		17.12.2008		Masstab: 1:5		Format: A3	
Geändert Glaser		17.12.2008		Zeichnungsnummer:		Index:	
Geprüft		Name Datum		7.7195.01		0	
Wenn ohne Angabe: Kanten: Gratfrei R=0,2 Oberflächen: DIN ISO 1312 Reihe2 Rz 50		Benennung: P 7195 customer's drawing (to WS max. 90 mm) standard; Delta; (with straight lever)				Artikel-Nr.: 102742	
Dosname: X:9908\ZEI17_7195_01_0_2.DWG						Ursprung:	